



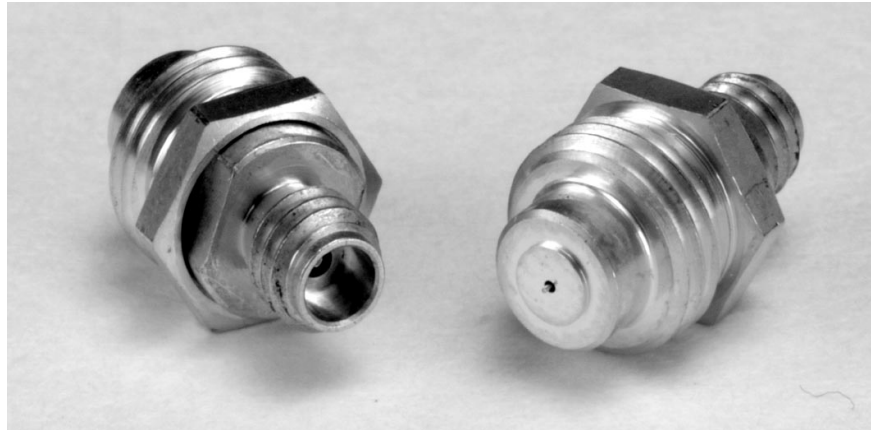
# Agilent 11923A Connectors

## Product Overview

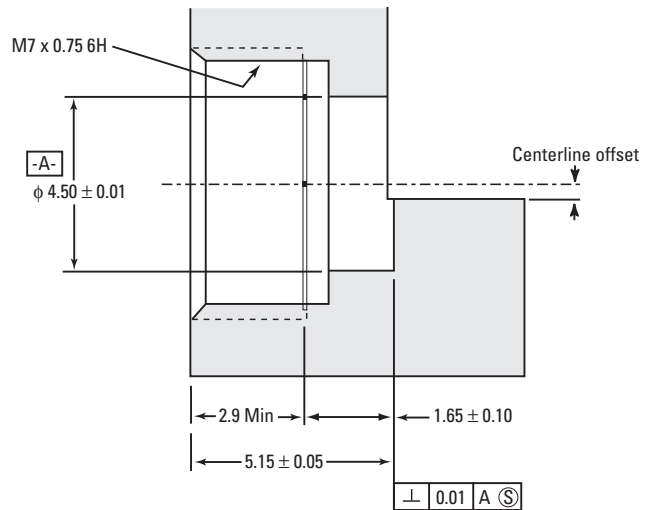
### Flexible micro-circuit packaging

The Agilent Technologies 11923A 1.0 mm female-connector launch threads into a package or fixture housing to transition a microwave circuit from microstrip to coaxial connector. The 11923A connector launch is intended for use with 8510XF and other test systems up to 110 GHz. The 11923A 1.0 mm female connector has an air dielectric interface and center conductor that is supported by a low-loss plastic bead on one end, and a glass-to-metal seal interface on the other end. This interface consists of a 0.162 mm diameter pin that extends inside the package or fixture for connection onto a microwave circuit.

The Agilent 11923A is preassembled and supplied with a machining detail for mounting the launch and assembly instructions (see Figure 1). The user is responsible for making the connection onto the circuit card, machining the package, and installing the connector. If a quasi-hermetic seal is desired, epoxy may be applied to threads of the launch prior to installation. The procedure describing the necessary dimensions for the package and installation is provided with the launch assembly.



**A pair of 1.0 mm female connector launch assemblies.**  
**Left: 1.0 mm female connector end**  
**Right: Package end with 0.162 mm diameter pin**



**Figure 1. Section view of machining detail for mounting the launch**



**Agilent Technologies**

Innovating the HP Way

## Specifications

Specifications describe the instrument's warranted performance over the temperature range 0° to 55° C (except where noted).

Supplemental characteristics are intended to provide information for applying the instrument by giving typical but nonwarranted performance parameters. These are noted as "typical," "nominal," or "approximate."

### 1.0 mm (f) connector launch

Model number	Coax connector type	Frequency (GHz)	Insertion loss better than:
11923A	(f) to circuit card launch	dc–110	–1.0 dB

### Supplemental characteristics

Model number	Return loss better than:	Max CW power
11923A	–16 dB	6W

### Environmental specifications

	Operating	Non-operating
Temperature	0° to 55° C	–40° to 75° C
Altitude	<15,000 meters (≈50,000 feet)	<15,000 meters (≈50,000 feet)

*Note: The operating temperature is a critical factor in the performance during measurements and between calibrations. Storage or operation within an environment other than that specified above may cause damage to the product and void the warranty.*

Non-operating environmental specifications apply to storage and shipment. Products should be stored in a clean, dry environment. Operating environmental specifications apply when the product is in use. Products should not be operated in a condensing environment.

### Key literature

MTA Catalog

MTA Web site: [www.agilent.com/find/mta](http://www.agilent.com/find/mta)

### Pub. number

5964-9527E

### Agilent Technologies' Test and Measurement Support, Services, and Assistance

Agilent Technologies aims to maximize the value you receive, while minimizing your risk and problems. We strive to ensure that you get the test and measurement capabilities you paid for and obtain the support you need. Our extensive support resources and services can help you choose the right Agilent products for your applications and apply them successfully. Every instrument and system we sell has a global warranty. Support is available for at least five years beyond the production life of the product. Two concepts underlie Agilent's overall support policy: "Our Promise" and "Your Advantage."

#### Our Promise

"Our Promise" means your Agilent test and measurement equipment will meet its advertised performance and functionality. When you are choosing new equipment, we will help you with product information, including realistic performance specifications and practical recommendations from experienced test engineers. When you use Agilent equipment, we can verify that it works properly, help with product operation, and provide basic measurement assistance for the use of specified capabilities, at no extra cost upon request. Many self-help tools are available.

#### Your Advantage

"Your Advantage" means that Agilent offers a wide range of additional expert test and measurement services, which you can purchase according to your unique technical and business needs. Solve problems efficiently and gain a competitive edge by contracting with us for calibration, extra-cost upgrades, out-of-warranty repairs, and on-site education and training, as well as design, system integration, project management, and other professional services. Experienced Agilent engineers and technicians worldwide can help you maximize your productivity, optimize the return on investment of your Agilent instruments and systems, and obtain dependable measurement accuracy for the life of those products.

**Get assistance with all your test and measurement needs at:**  
[www.agilent.com/find/assist](http://www.agilent.com/find/assist)

Product specifications and descriptions in this document subject to change without notice.

Copyright © 1999, 2000 Agilent Technologies  
Printed in U.S.A. 6/00  
5968-4315E



**Agilent Technologies**

Innovating the HP Way